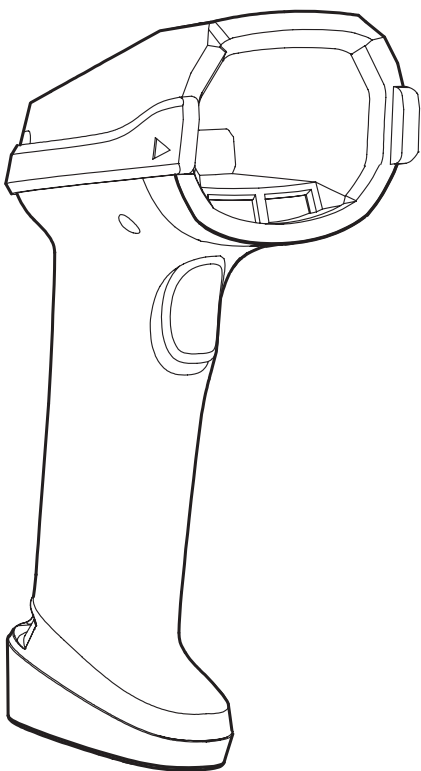


GENERALSCAN

GS P10

Handheld Scanner

QUICK START GUIDE



EN

■ GENERALSCAN QUICK START GUIDE

This guide introduces the assembly method and the basic configurations barcodes of the handheld scanner GS P10, you can adjust the settings and modes of your device according to your wishes and get it work easily. If any further questions, please contact:

support@generalscan.cloud

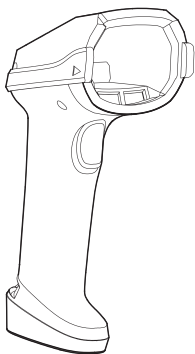
■ COPYRIGHT

GENERALSCAN reserves the right to make changes to any product to improve reliability, function, or design.

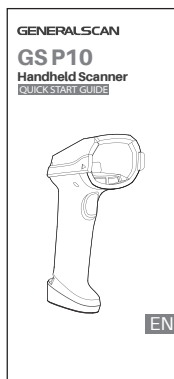
GENERALSCAN does not assume any product liability arising out of, or in connection with the application or use of any product, circuit, or application described herein.

■ UNPACKING

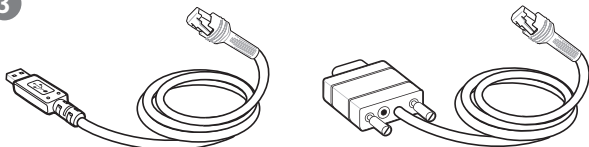
1



2



3



① GS P10 x 1; ② Quick Start Guide x 1;

③ USB Cable x 1 or RS232 Cable x 1

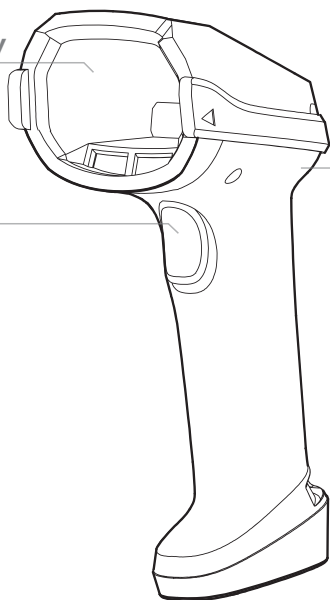
Note : Different models have different cables in the package.
Please refer to "DATA OUTPUT MODE" for details.

■ FEATURES

Scan Window

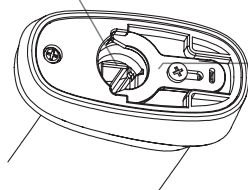
Trigger

Beeper

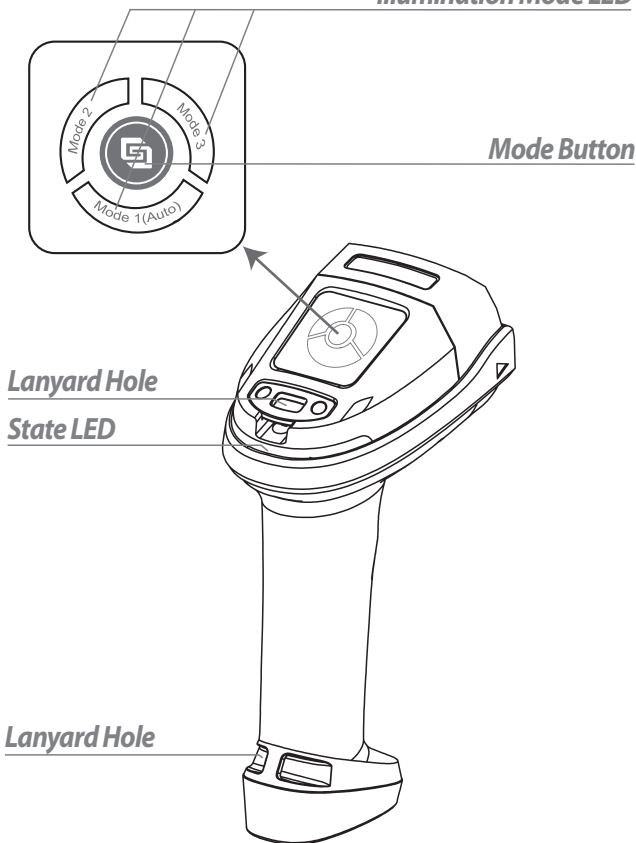


Cable Hole

Cable Latch



Illumination Mode LED



Lanyard Hole

State LED

Lanyard Hole

■ SWITCH ILLUMINATION MODE

We provide 3 illumination modes-white point light, red low angle ring light, red*/blue dome light.

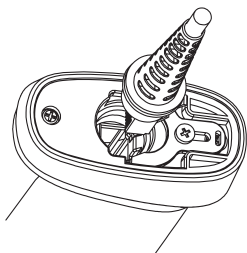
Switch the mode by pressing the Mode button, and the corresponding mode LED will light up.

Mode	Description
Mode1(Auto)	Switching white/red/blue illumination automatically
Mode2	Red low angle ring light
Mode3	Blue dome light

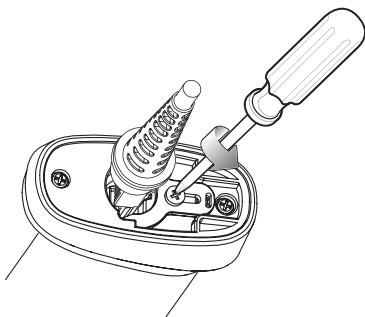
* Set to red dome light and other configurations in Easyscan.

CABLE CONNECTION

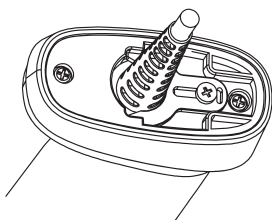
Step1. Fully insert the cable to make the connector is flush with the scanner surface.



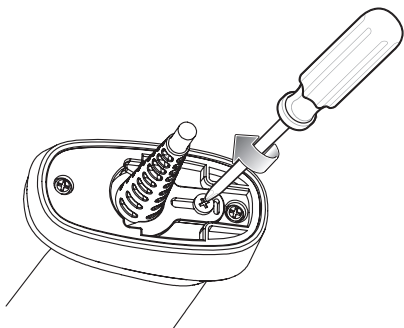
Step2. Loosen the metal lock plate by using a screw driver.



Step3. Slide lock plate to fully locked position.



Step4. Tighten the screw by using a driver.

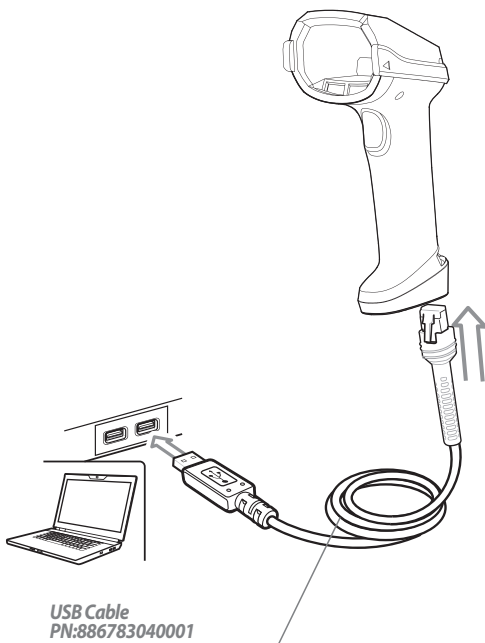


■ POWER ON AND POWER OFF

Automatically power on when connected to the power supply, automatically power off when disconnected from the power supply.

■ DATA OUTPUT MODE

P10-XX-USB refer to the picture as below



1. USB HID Mode (Default)

Step1. Use USB Cable to connect.

Step2. Scan the barcode below, switch to USB HID mode.



USB HID Mode (Default)

Step3. Open a notebook application. When you scan a barcode the data will appear at the cursor.

2. USB COM Mode

Step1. Scan the barcode below, switch to USB COM mode.



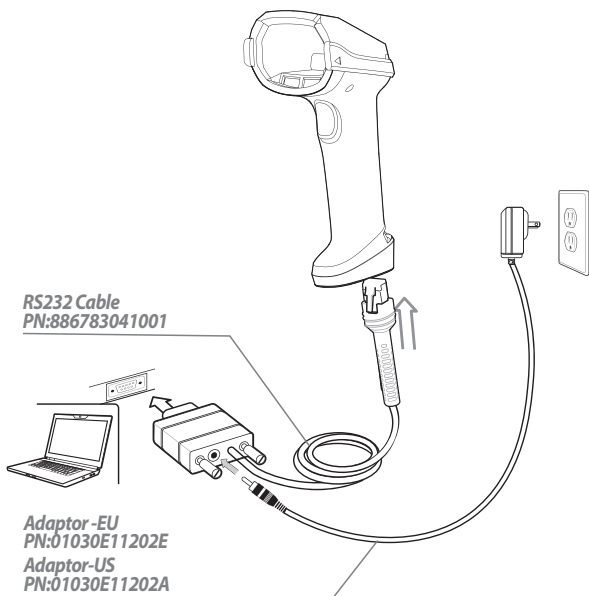
USB COM Mode

Step2. Open a serial port application, when you scan a barcode the data will be output in the serial port application.

PARAMETERS

Baudrate 115200	Data Bits 8	Flow Control N	Stop Bits 1
-----------------	-------------	----------------	-------------

P10-XX-RS232 refer to picture as below



RS232 Mode

Step1. Use RS232 cable to connect.

Step2. The date will be output in serial port application.

PARAMETERS

Baudrate 115200	Data Bits 8	Flow Control N	Stop Bits 1
-----------------	-------------	----------------	-------------

■ **BASIC SETTINGS**



Default Factory Settings



Carriage Return Suffix



Line Feed Suffix



**Carriage Return &
Line Feed Suffix**



Tab Suffix



Disable Suffix

LED AND BEEPER INDICATIONS

Operation	LED Indicator	Beeper Indicator
Power on	Aiming stays on	Three beeps
Decoding successful	Decoding LED flashes green once	One beep
Decoding failed	Decoding LED flashes red once	Low beeps
Configuration Barcode decoding successful	Decoding LED flashes green once	Two beeps
Switch illumination mode	Illumination mode LED stays on	Two beeps

SOFTWARE DOWNLOAD

Please download the PC configuration software EasyScan for other configurations of the scanner from our website:

www.generalscan.cloud

Q & A

Problem	Possible Causes	Possible Solution
Scanner not working	No power to scanner	Check system power
Scanner not decoding bar code	Scanner not programmed for barcode type	Ensure scanner is programmed to read type of bar code being scanned
	Barcode not clear, damaged	Ensure barcode is not defaced
	Distance between scanner and bar code incorrect	Move scanner closer to, or further from barcode
Scanner decoding barcode, but data not transmitting to host	Host interface not configured properly	Scan appropriate host parameter barcodes
	Interface cable is loose	Ensure all cable connections

Service Information

If you have any question of your GENERALSCAN product, please visit our service page for assistance.

www.generalscan.cloud/services

QUICK START GUIDE

Email: Support@generalscan.cloud

©2023 GENERALSCAN All rights reserved

Version 1.0



886783021001